



Part of Absolent  
Air Care Group

## Oil Mist Collectors

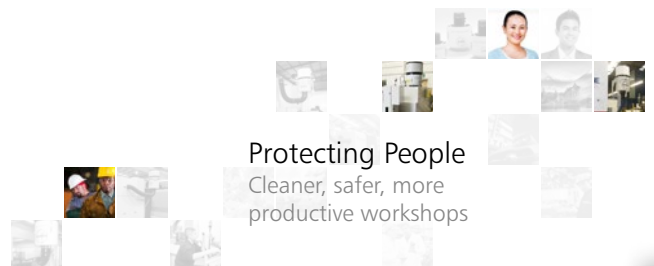


Trusted by world leading manufacturers since 1969

Filtermist units efficiently remove oil & coolant mist, fume and steam in thousands of manufacturing operations around the world

Compact | Quiet | Efficient

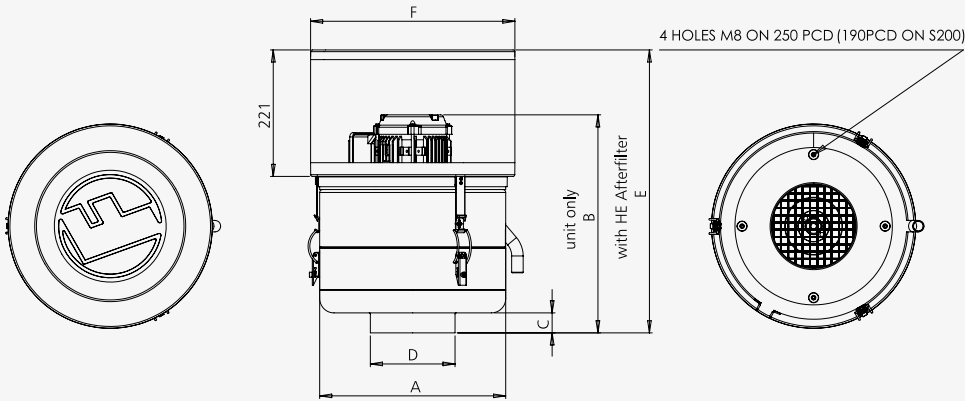
[www.filtermist.com](http://www.filtermist.com)



Protecting People  
Cleaner, safer, more  
productive workshops



## SERIES



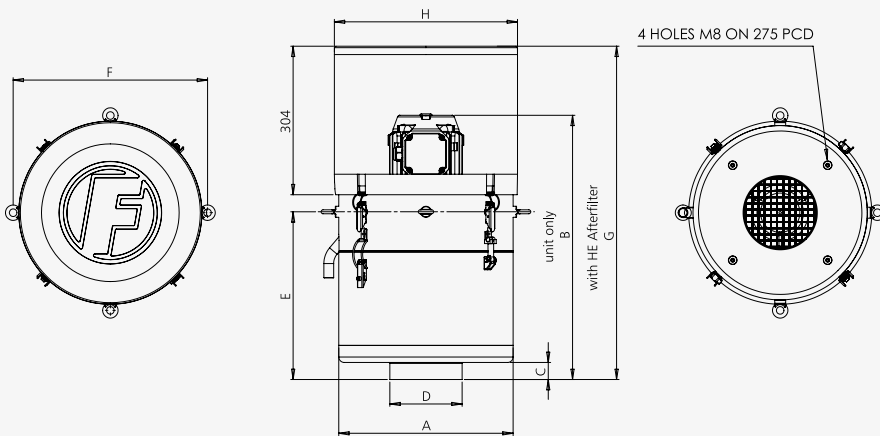
The compact S series with airflows from 180m<sup>3</sup>/hr to 950m<sup>3</sup>/hr



Model	Airflow m <sup>3</sup> /hr	Motor <sup>1</sup>		A mm	B mm	C mm	D mm	E mm	F mm	Weight kg	Noise <sup>2</sup> dBA
S200	180 @ 50Hz 215 @ 60Hz	0.18kW 50Hz 200v, 220v, 380v, 400v	0.18kW 60Hz 200v, 220v, 230v, 440v, 460v, 480v	260	302	30	73	423.50	324	8	62
S400	425 @ 50Hz 500 @ 60Hz	0.55kW 50Hz 200v, 220v, 380v, 400v	0.55kW 60Hz 200v, 220v, 230v, 440v, 460v, 480v	325	374	35	148	494.50	357	14	65
S800	800 @ 50Hz 950 @ 60Hz	0.55kW 50Hz 200v, 220v, 380v, 400v	0.55kW 60Hz 200v, 220v, 230v, 440v, 460v, 480v	325	427	35	148	543.50	357	15	67



## FX SERIES



The Filtermist FX series has four models with airflows from 1250m<sup>3</sup>/hr to 2750m<sup>3</sup>/hr



Model	Airflow m <sup>3</sup> /hr	Motor <sup>1</sup>		A mm	B mm	C mm	D mm	E mm	F mm	G mm	H mm	Weight kg	Noise <sup>2</sup> dBA
FX4002	1250 @ 50Hz 1500 @ 60Hz	1.1kW 50Hz 200v, 220v, 380v, 400v	1.1kW 60Hz 200v, 220v, 230v, 440v, 460v, 480v	357	532	35	148	309	398	682.50	375	23	70
FX5002	1675 @ 50Hz 2000 @ 60Hz	1.5kW 50Hz 200v, 220v, 380v, 400v	1.5kW 60Hz 200v, 220v, 230v, 440v, 460v, 480v	357	613	35	198	398	398	751.50	375	27.5	71
FX6002	2000 @ 50Hz 2400 @ 60Hz	2.2kW 50Hz 200v, 220v, 380v, 400v	2.2kW 60Hz 220v, 230v, 440v, 460v, 480v	438	642	35	198	485	485	805.50	456	37	73
FX7002	2750 @ 50Hz	2.2kW 50Hz 200v, 220v, 380v, 400v	not available	438	642	35	198	485	485	805.50	456	37	73



# Why Use Filtermist Units



- Oil mist is hazardous to health
- Oil mist causes slippery floors and can cause damage to electrical switchgear and circuitry
- Oil mist can lead to coating of ventilation pipes - a potential fire risk
- Official regulations are becoming increasingly stringent around the world
- Filtermist units help to reduce energy and heating costs by recycling clean air back into the factory
- No expensive media filters to replace meaning low maintenance costs

## How Filtermist Units Work ►

- 1 Oil mist is removed at source
- 2 Oil mist is removed from the air by centrifugal impaction
- 3 Clean oil is returned to machine
- 4 Clean air is returned to workplace

A perforated drum containing four specially designed vanes rotates at high speed.

Oil mist is drawn into the drum where it impacts on the vanes at high velocity, causing the mist to coalesce. Special drum pads assist the coalescing process, filter out stray solid particles and reduce noise.

Centrifugal force pushes oil to the unit's outer case where it drains back to the machine for re-use or collection. The cleaned air is then passed through a secondary High Efficiency afterfilter to remove any submicron particles that may have passed through the Filtermist unit and clean air is returned to the workshop.



## Proven Experience ►

UK manufacturer, Filtermist Limited, has been providing effective oil mist extraction systems since 1969.

Filtermist has worked alongside government research institutes and global machine manufacturers to develop the most well-known and well-used oil mist extraction system in the world.

Filtermist units are in operation on tens of thousands of applications - from high precision CNC machining centres, to traditional open grinders.

Filtermist is an industry standard from aerospace and automotive, to food processing and medical device manufacture.

Units are available in mild steel and stainless steel with dozens of installation accessories to create bespoke solutions for almost any type of oil mist problem.

Filtermist units are trusted by world leading manufacturers to protect people from harmful airborne oil mist particles.

Local support in more than 60 countries worldwide



# Mounting Options

## Direct Mounting

The compact and lightweight design of Filtermist units means they can also be directly mounted on enclosed machine tools – saving valuable floor space and removing the need for additional brackets.



## Machine Tool Stands

These versatile stands are designed to fit directly onto the machine tool where floor space is at a premium. Each installation takes the location, application, access for ongoing maintenance and size of unit into account. Machine tool stands are available for S Series and FX Series units.

## Floor Stands

The Filtermist extendable floor stand comes in sections for easy transportation. The stand height is fully adjustable with the base plate pre-drilled for bolting to the workshop floor. The stands are made for the S Series and FX Series with customised fixings to ensure the units are securely mounted.

Filtermist also offers a robust low level stand designed to make servicing simple.

## S FUSION & FX FUSION

### Neat Oil Mist Collectors

The compact, cost effective way to remove submicron neat oil mist particles from workshop air.

S Fusion and FX Fusion successfully remove submicron particles generated in neat oil applications by combining a hi-tech synthetic self-draining media filter with Filtermist's proven centrifugal technology – offering an effective alternative to other products in the high-pressure coolant market.

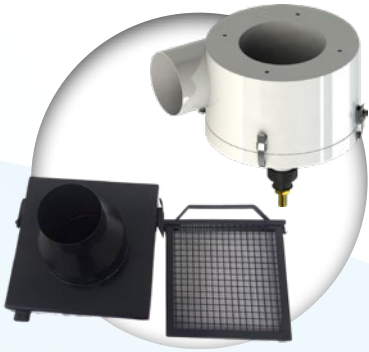
- ✓ Compact
- ✓ Cost effective
- ✓ Long-life
- ✓ Efficient
- ✓ Self-draining
- ✓ Patented suction system



 Dedicated high-pressure neat oil solution

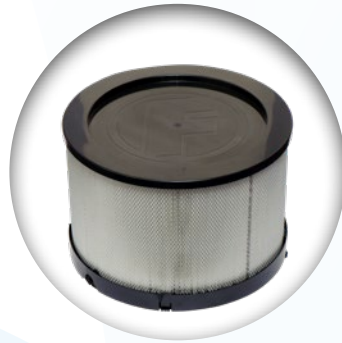
# Accessories

The Filtermist system is complemented by numerous accessories to suit your installation



## Pre-Filters

Filtermist manufactures a range of pre-filters designed to collect dust and swarf before it enters the Filtermist unit, reducing maintenance requirements. Options include re-usable filters that can be washed or replaced, and the compact cyclone which is designed for heavier particles generated in applications including grinding.



## Afterfilters

High Efficiency afterfilters are designed for the removal of oil smoke and any residual fine mist particles. Afterfilters are used in addition to the Filtermist unit on applications where the exhaust air needs final cleaning before being returned to the workshop.

## Fusion Filter

S Fusion filters are compatible with S400 and S800 Filtermist units and FX Fusion filters are compatible with all units in the FX range (please note, a separate adaptor is required to use an FX Fusion filter with FX6002 and FX7002 units).



## F MONITOR

F Monitor monitoring systems use a globally recognised traffic light system of coloured warning lights to alert machine operators when the Filtermist unit needs servicing.

All F Monitors can be retro-fitted to the complete Filtermist range and are sold as an optional accessory on all Filtermist units.

Please visit [www.filtermist.com](http://www.filtermist.com) to find out more about F Monitors.

## Maintenance Kits



Filtermist provides a range of easy to fit, low cost service and maintenance kits. Filtermist spares, including its exclusive fibre technology drum pads, are specially designed to ensure that the unit constantly extracts efficiently and safely.

Genuine Filtermist pads use the latest filter technology to provide greater surface area - enabling increased volumes of oil mist to be collected.

Always use official Filtermist spares to guarantee that your oil mist extraction unit maintains its optimum performance.

# Efficient oil mist removal

Proven reliability since 1969



**EDM / Spark Erosion**



**Grinding**



**Machining Centres**



**Industrial Saws**



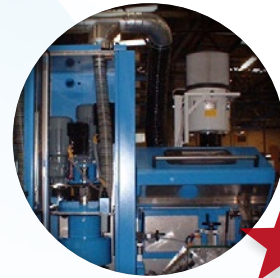
**Food Processing**



**Lathes**



**Parts Washing**



**Special Purpose**

## Filtermist Customers Include

ABB	Doosan	Koyo	Rolls Royce
AEG	Eaton Corporation	Lufthansa	Samsung
Airbus Industrie	Fiat	Makino	Siemens
BAE Systems	Ford	Mercedes Benz	Timken
Black & Decker	GE	Mitsubishi	Toyota
BMW	General Motors	Nissan	TRW
Borg Warner	Hardinge	NSK	Volkswagen
Bosch	Honda	Okuma	Yamazaki Mazak
Caterpillar	Hyundai	Panasonic	Zanussi
Cincinnati Milacron	Ingersoll Rand	Philips	Zeiss
Daewoo	John Deere	Peugeot	
Dana Corporation	Kawasaki	Renault	

## Sales Enquiries

**E:** [sales@filtermist.com](mailto:sales@filtermist.com)  
**T:** +44 (0)1952 290500

